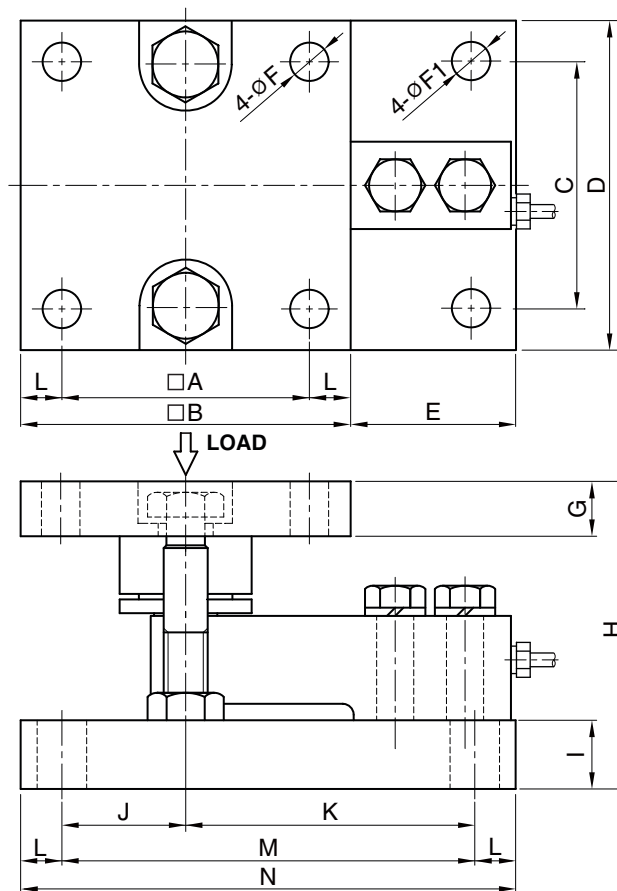
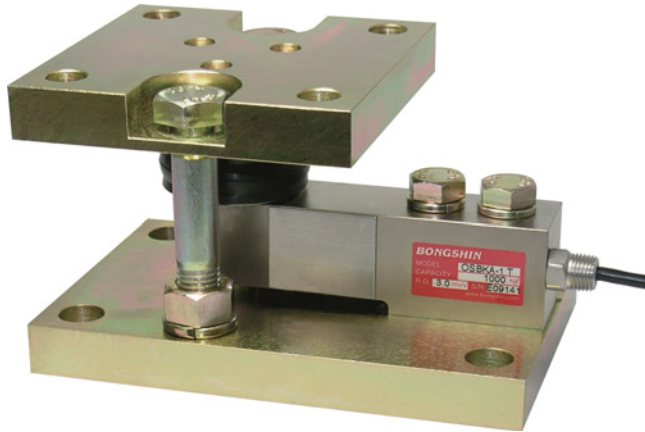


Weigh Module

Model BMK Series

Specially Designed For
Hopper, Bin and Tank(100kg ~ 5t)



Dimension-mm

Rated Capacity	A	B	C	D	E	F / F1	G	H	I	J	K	L	M	N	Weight (kg)
100kg ~ 2t (980.7N ~ 19.61kN)	90	120	90	120	60	14 / 16	20	107	20	45	105	15	150	180	8.0
3t ~ 5t (29.42kN ~ 49.03kN)	110	150	110	150	80	18 / 20	25	135	30	55	135	20	190	230	15.0

- Self centering design for accurate weighing.
- Self checking and overlift protection structure for no check rods needed.
- Alloy steel, Stainless steel, Flameproof load cell.

SPECIFICATIONS

MODEL	BMK11	BMK21 BMK22	BMK31 BMK32
Rated capacity (R.C.)	100, 200, 500kg 1, 2, 3, 5t	500kg 1, 2, 3, 5t	
Load cell model	OSBK (Alloy steel)	OSW (Stainless steel)	OSWXM OSWXL (Flameproof)
Rated output(R.O.)	3.0mV/V	2.0mV/V	
Non-linearity	≤0.03% R.O.		
Hysteresis	≤0.02% R.O.	≤0.03% R.O.	
Non-repeatability	≤0.02% R.O.		
Creep error	≤0.03% in 20min.		
Zero balance	≤1% R.O.		
Compensated temperature range	-10 ~ 70°C		
Operating temperature range	-20 ~ 80°C		
Temp. effect on rated output	≤0.02% LOAD/10°C		
Temp. effect on zero balance	≤0.03% R.O./10°C		
Terminal input resistance	400 Ohms ± 20 Ohms		
Terminal output resistance	350 Ohms ± 5 Ohms		
Insulation resistance (Min.)	2000 MOhms at 50V DC		
Excitation voltage	3~12V(Recommended), 15V(Max.)		
Electrical connection	100kg ~ 2t (22AWG x 4Core Shielded)	Ø5mmx3m(Standard), 6m(Option)	
	3t ~ 5t	Ø5mmx6m	
Protection class	meets IP 67	IP 68	IP 67
Safe overload	150% R.C		
Ultimate overload	300% R.C		

ORDERING INFORMATION

BMK11 - 2T

MODEL CAPACITY : 100, 200, 500kg, 1, 2, 3, 5ton

BMK11: OSBK Load Cell + Zinc Plated Steel Mtg Kit

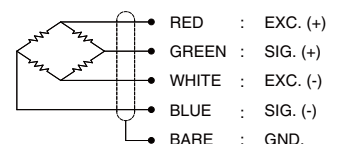
BMK21: OSW Stainless Steel Load Cell + Zinc Plated Steel Mtg Kit

BMK22: OSW Stainless Steel Load Cell + Stainless Steel Mtg Kit

BMK31: OSWXM/OSWXL Flameproof Load Cell + Zinc Plated Mtg Kit

BMK32: OSWXM/OSWXL Flameproof Load Cell + Stainless Steel Mtg Kit

WIRING INFORMATION



* Specifications are subject to change without notice

APR, 2018