

Model CCHXE series

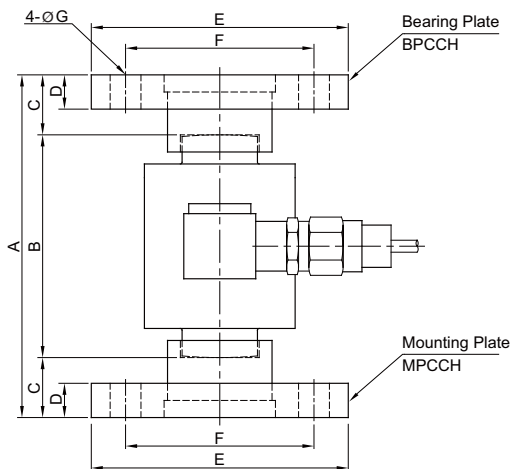
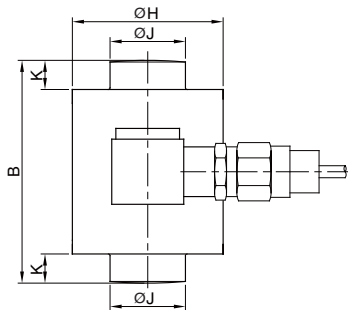
Flameproof type

Compression Load Cell (10t ~ 50t)

- KGS Approved (Ex db IIB T4 Gb)

- Stainless steel construction

- high accuracy



SPECIFICATIONS

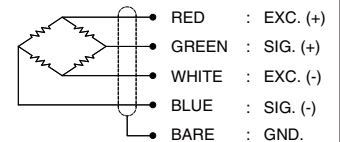
MODEL	CCHXE	
Rated capacity (R.C.)	10, 15, 20, 25, 30, 40t	50t
Rated output(R.O.)	2.0mV/V ± 0.2%	
Non-linearity	≤0.03% R.O.	≤0.1% R.O.
Hysteresis	≤0.03% R.O.	≤0.1% R.O.
Non-repeatability	≤0.03% R.O.	
Creep error	≤0.03% in 20min.	
Zero balance	≤1% R.O.	
Compensated temperature range	-10 ~ 70°C	
Operating temperature range	-20 ~ 80°C	
Temp. effect on rated output	≤0.003% LOAD/°C	
Temp. effect on zero balance	≤0.003% R.O./°C	
Terminal input resistance	400 Ohms ± 30 Ohms	
Terminal output resistance	350 Ohms ± 5 Ohms	
Insulation resistance (Min.)	2000 MOhms at 50V DC	
Excitation voltage	3~12V(Recommended), 15V(Max.)	
Electrical connection	Ø7mmx6m(4Core Shielded)	
Protection class	IP 67	
Safe overload	150% R.C	
Ultimate overload	300% R.C	

ORDERING INFORMATION

CCHXE - 20T

MODEL CCHXE CAPACITY
10, 15, 20, 25,
30, 40, 50 ton

WIRING INFORMATION



FLAMEPROOF

Ex db IIB T4 Gb

Dimension-mm

Rated Capacity	A	B	C	D	E	F	ØG	ØH	ØJ	K	Bearing Plate	Mounting Plate	Weight
10t (98.07kN) 15t (147.1kN) 20t (196.1kN) 25t (245.2kN) 30t (294.2kN)	190	130	30	20	150 x 150	110 x 110	18	88	44	15	BPCCH1	MPCCH1	4.0kg
40t (392.3kN) 50t (490.3kN)	210	130	40	25	180 x 180	130 x 130	22	88	44	15	BPCCH2	MPCCH2	

* Specifications are subject to change without notice

APR, 2023