

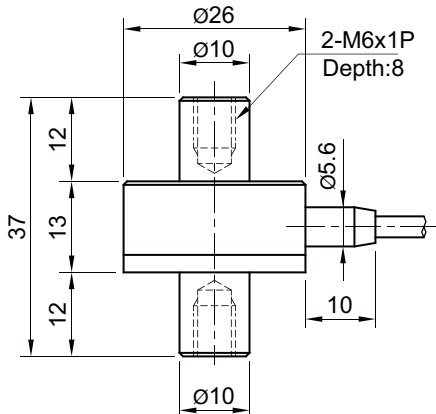
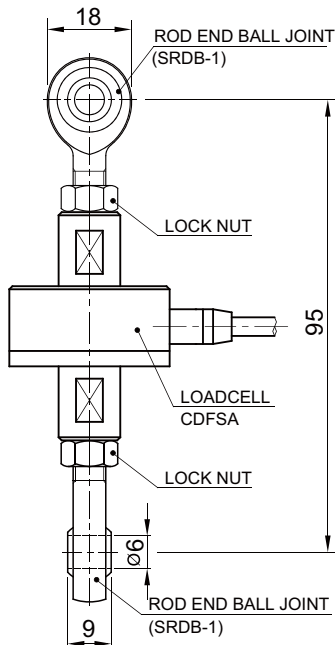
Model CDFS Series

Tension & Compression
Miniature Load Cell(10~200kg)

The model CDFS miniature type is designed for tension & compression service.



CDFS-A



Type - A

SPECIFICATIONS

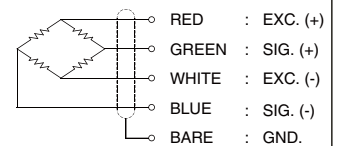
MODEL	CDFS-A, CDFS-B, CDFS-C	
Rated capacity (R.C.)	10, 20, 30kg	50, 100, 200kg
Rated output(R.O.)	mV/V	1.0 ± 0.2
Non-linearity	≤0.5% R.O.	
Hysteresis	≤0.5% R.O.	
Non-repeatability	≤0.2% R.O.	
Creep error	≤0.1% in 20min.	
Zero balance	≤1% R.O.	
Compensated temperature range	-10 ~ 70°C	
Operating temperature range	-20 ~ 80°C	
Temp. effect on rated output	≤0.1% LOAD/10°C	
Temp. effect on zero balance	≤0.1% R.O./10°C	
Terminal input resistance	410 Ohms ± 30 Ohms	
Terminal output resistance	350 Ohms ± 5 Ohms	
Insulation resistance (Min.)	2000 MOhms at 50V DC	
Excitation voltage	3~5V(Recommended), 8V(Max.)	
Electrical connection	Ø3mmx1.5m (28AWG x 4Core Shielded)	
Protection class	meets IP 67	
Safe overload	150% R.C	
Ultimate overload	300% R.C	
Material	Stainless steel (17-4PH)	

ORDERING INFORMATION

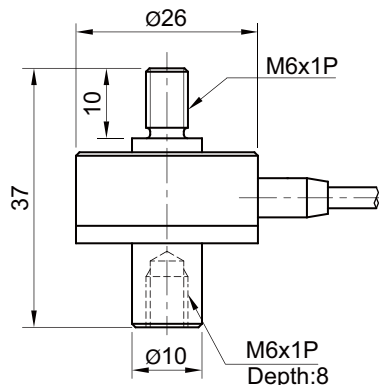
CDFS() - 10

MODEL	CAPACITY
CDFS-A	10, 20, 30, 50,
CDFS-B	100, 200kg
CDFS-C	

WIRING INFORMATION



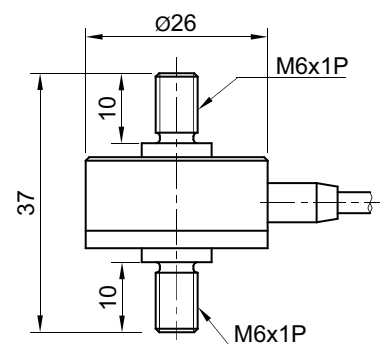
CDFS-B



Type - B



CDFS-C



Type - C

* Specifications are subject to change without notice

MAY, 2020