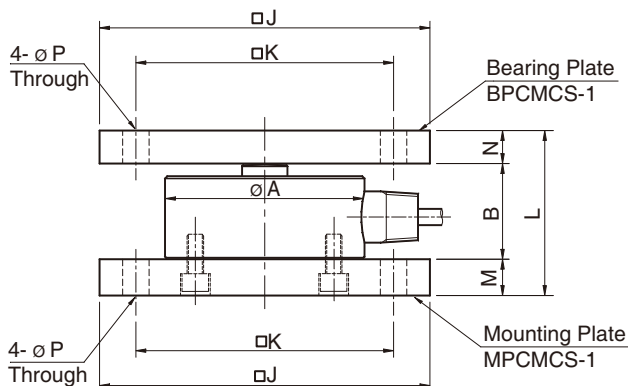
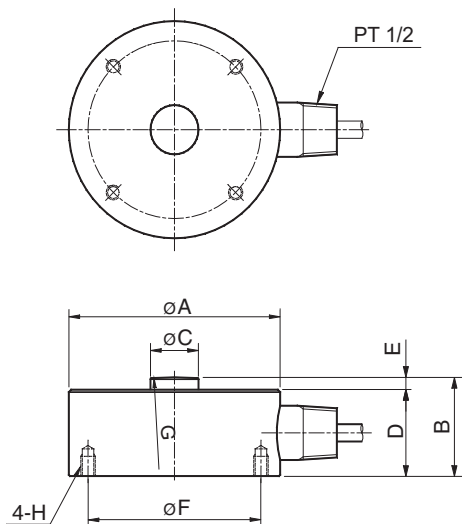


## Model CMCS Series

High Accuracy Type Low Profile  
Compression Load Cell (500kg ~ 10t)



The model CMCS is designed for low profile compression service. Its compact size makes the cell ideal for a wide range of applications including testing & weighing systems.

- 17-4PH Stainless steel construction for high accuracy and corrosion resistance.
- Fully welded seal with stainless steel cover for hostile environment applications.
- Compact size with low profile.

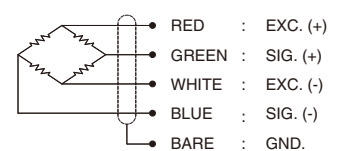
### SPECIFICATIONS

MODEL	CMCS
Rated capacity (R.C.)	500kg, 1, 2, 5, 10t
Rated output(R.O.)	2.0mV/V $\pm$ 0.2%
Non-linearity	$\leq$ 0.03% R.O.
Hysteresis	$\leq$ 0.03% R.O.
Non-repeatability	$\leq$ 0.03% R.O.
Creep error	$\leq$ 0.03% in 20min.
Zero balance	$\leq$ 1% R.O.
Compensated temperature range	-10 ~ 70°C
Operating temperature range	-20 ~ 80°C
Temp. effect on rated output	$\leq$ 0.03% LOAD/10°C
Temp. effect on zero balance	$\leq$ 0.03% R.O./10°C
Terminal input resistance	350 Ohms $\pm$ 3.5 Ohms
Terminal output resistance	350 Ohms $\pm$ 5 Ohms
Insulation resistance (Min.)	2000 MOhms at 50V DC
Excitation voltage	3~12V(Recommended), 15V(Max.)
Electrical connection	$\phi$ 7mmx6m(22AWG x 4Core Shielded)
Protection class	meets IP 68
Safe overload	150% R.C
Ultimate overload	300% R.C

### ORDERING INFORMATION

<b>CMCS - 1T</b>	
MODEL	CAPACITY
CMCS	500kg, 1, 2, 5, 10ton

### WIRING INFORMATION



### Dimension-mm

Capacity	A	B	C	D	E	F	G	H	J	K	L	M	N	P	Bearing plate	Mounting plate	Weight (kg)
500kg ~ 5t (4.903kN ~ 49.037kN)	88	40	20	35	5	72	R150	4-M6x1P Depth 8	160	126	100	30	30	14	BPCMCS-1	MPCMCS-1	2.3
10t (98.07kN)	88	45	20	40	5	72	R150	4-M6x1P Depth 8	160	126	105	30	30	14	(Zinc Plated Steel)	(Zinc Plated Steel)	2.5

\* Specifications are subject to change without notice

APR, 2020