

Model CS61 Series

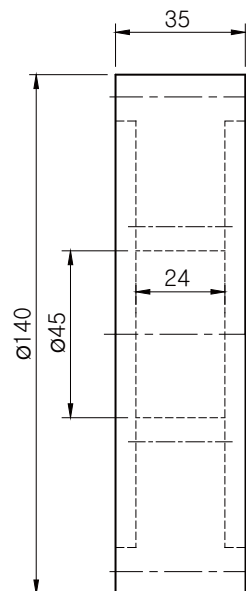
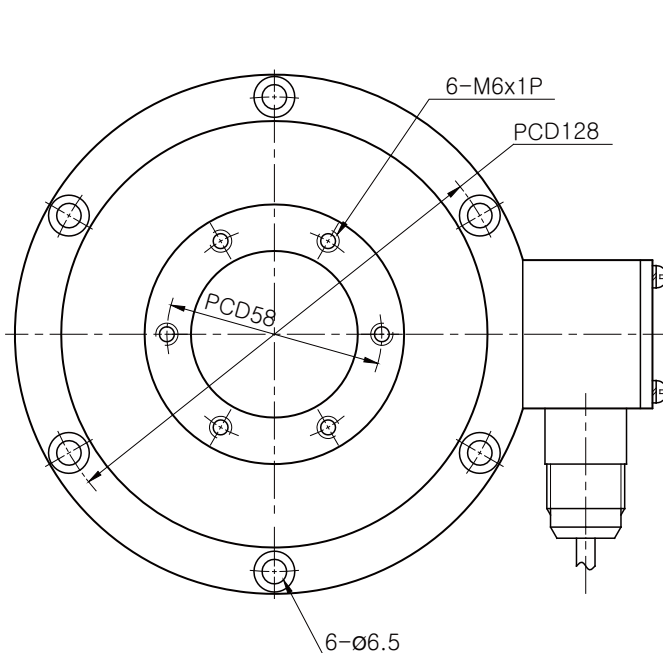
Center hole type load cell (1t ~ 3t)



- Low profile shear type
- Alloy tool steel construction for high accuracy.
- Electroless nickel plated for corrosion resistance.
- Fully sealed to IP67.

SPECIFICATIONS

MODEL	CS61
Rated capacity (R.C.)	1, 2, 3t
Rated output(R.O.)	1.5mV/V ± 0.1%
Non-linearity	≤0.1% R.O.
Hysteresis	≤0.1% R.O.
Non-repeatability	≤0.05% R.O.
Creep error	≤0.05% in 20min.
Zero balance	≤1% R.O.
Compensated temperature range	-10 ~ 70°C
Operating temperature range	-20 ~ 80°C
Temp. effect on rated output	≤0.03% LOAD/10°C
Temp. effect on zero balance	≤0.03% R.O./10°C
Terminal input resistance	700 Ohms ± 3.5 Ohms
Terminal output resistance	700 Ohms ± 5 Ohms
Insulation resistance (Min.)	2000 MOhms at 50V DC
Excitation voltage	3~12V(Recommended), 15V(Max.)
Electrical connection	Ø5mmx6m(22AWG x 4Core Shielded)
Protection class	meets IP 67
Safe overload	150% R.C
Ultimate overload	300% R.C

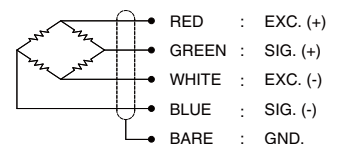


ORDERING INFORMATION

CS61 - 2T

MODEL: CS61 CAPACITY: 1, 2, 3ton

WIRING INFORMATION



* Specifications are subject to change without notice

APR, 2018