

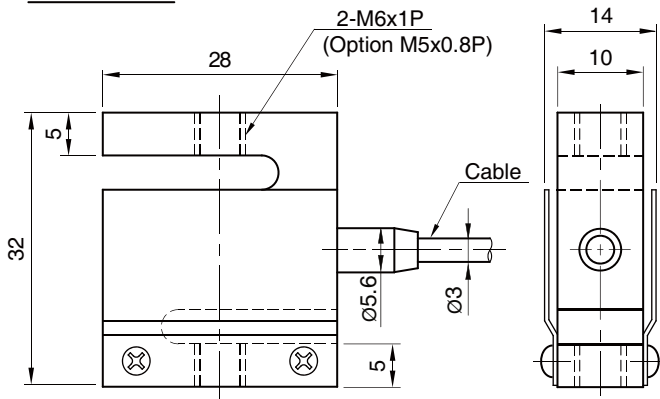
Model DBCM Series

Tension & Compression
Miniature Load Cell (2kg ~ 300kg)

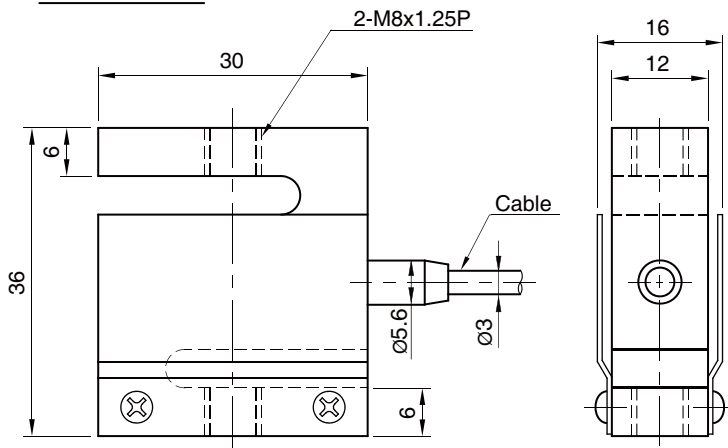
- High accuracy ($\pm 0.05\%$)
- Sealed to IP 64



2 ~ 100kg



200, 300kg



SPECIFICATIONS

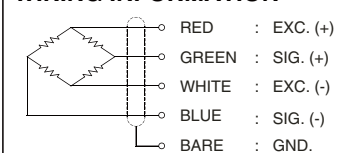
MODEL	DBCM	
Rated capacity (R.C.)	2, 3, 5kg	10, 20, 30, 50, 100, 200, 300kg
Material	Stainless Steel	
Rated output(R.O.)	1.0~2.0mV/V 2.0mV/V \pm 10%	
Non-linearity	$\leq 0.05\%$ R.O.	
Hysteresis	$\leq 0.05\%$ R.O.	
Non-repeatability	$\leq 0.03\%$ R.O.	
Creep error	$\leq 0.05\%$ in 20min.	
Zero balance	$\leq 1\%$ R.O.	
Compensated temperature range	-10 ~ 70°C	
Operating temperature range	-20 ~ 80°C	
Temp. effect on rated output	$\leq 0.03\%$ LOAD/10°C	
Temp. effect on zero balance	$\leq 0.03\%$ R.O./10°C	
Terminal input resistance	400 \pm 20 Ohms	
Terminal output resistance	350 \pm 5 Ohms	
Insulation resistance (Min.)	2000 MOhms at 50V DC	
Excitation voltage	3~5V(Recommended), 10V(Max.)	
Electrical connection	$\varnothing 3\text{mm} \times 1.5\text{m}$ (28AWG x 4Core Shielded)	
Protection class	meets IP 64	
Safe overload	150% R.C	
Ultimate overload	300% R.C	

ORDERING INFORMATION

DBCM - 50

MODEL	CAPACITY
DBCM	2, 3, 5, 10, 20, 30, 50, 100, 200, 300kg

WIRING INFORMATION



Dimension-mm

* Specifications are subject to change without notice

APR, 2020