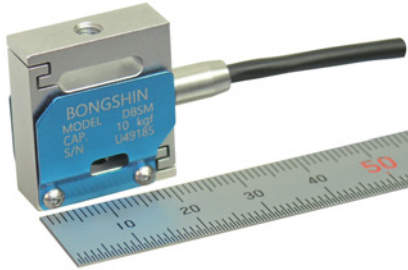


## Model DBSM Series

Tension & Compression

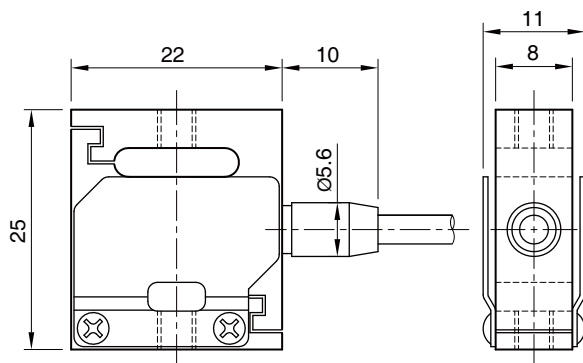
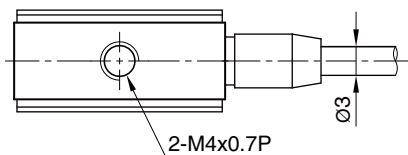
Miniature S-type Load Cell (3kg ~ 30kg)



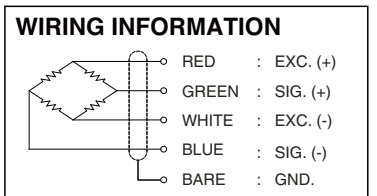
- High accuracy  $\pm 0.05\%$
- Built-in overload protection (Tension and Compression)
- Stainless steel (17-4PH)
- Compact design

### SPECIFICATIONS

MODEL	DBSM
Rated capacity (R.C.)	3, 5, 10, 20, 30kg
Rated output(R.O.)	2.0 mV/V (Normal)
Non-linearity	$\leq 0.05\%$ R.O.
Hysteresis	$\leq 0.05\%$ R.O.
Non-repeatability	$\leq 0.03\%$ R.O.
Creep error	$\leq 0.03\%$ in 20min.
Zero balance	$\leq 2\%$ R.O.
Compensated temperature range	-10 ~ 70°C
Operating temperature range	-20 ~ 80°C
Temp. effect on rated output	$\leq 0.04\%$ LOAD/°C
Temp. effect on zero balance	$\leq 0.02\%$ R.O./°C
Terminal input resistance	350 $\pm$ 5 Ohms
Terminal output resistance	350 $\pm$ 5 Ohms
Insulation resistance (Min.)	2000 MOhms at 50V DC
Excitation voltage	3~6V(Recommended), 10V(Max.)
Electrical connection	$\phi 3\text{mm} \times 1.5\text{m}$ (28AWG x 4Core Shielded)
Protection class	meets IP 64
Safe overload	1000% R.C
Material	Stainless Steel (17-4PH)



ORDERING INFORMATION	
<b>DBSM - 20</b>	
MODEL	CAPACITY
DBSM	3, 5, 10, 20, 30kg



Dimension-mm

\* Specifications are subject to change without notice

APR, 2020

BONGSHIN LOADCELL CO., LTD.

55, Seobuk-ro, Gajang Ind. Complex, Osan-si, Korea / 18103  
 TEL : 82-31-742-6661 www.bongshin.com  
 FAX : 82-31-742-6664 E-mail : loadcell@bongshin.com