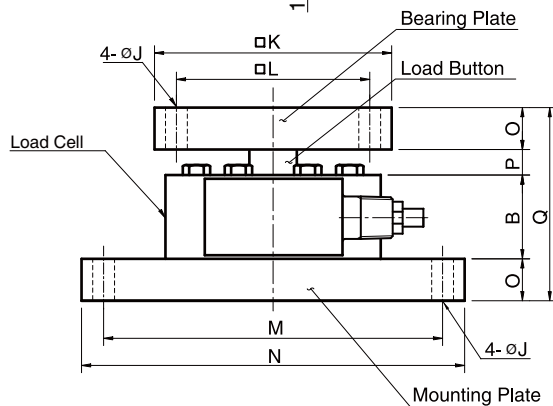
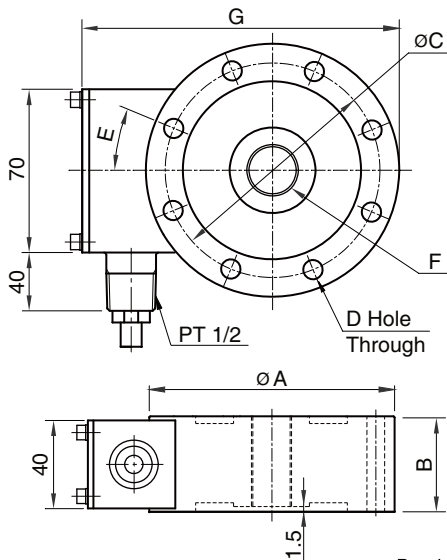


## Model DSCH / DSCHS Series

Compression & tension

Low profile load cell (1t ~ 100t)



Dimension-mm

Rated Capacity	A	B	C	D	E	F	G	J	K	L	M	N	O	P	Q	Weight (kg)
1, 2t (9.807kN, 19.61kN)	112	46	96	8-Ø6.5	45°	M16x2P	144	12	130	106	185 x 105	210 x 130	23	13	105	4
3, 5t (29.42kN, 49.03kN)	118	46	100	8-Ø9	45°	M18x1.5P	150	12	130	106	185 x 105	210 x 130	23	15	107	4
10t (98.07 kN)	138	60	116	8-Ø11	45°	M24x2P	172	14	160	126	125 x 125	160 x 160	30	20	140	6
20t (196.1 kN)	182	70	154	8-Ø14	45°	M39x2P	218	14	200	150	160 x 160	200 x 200	30	35	165	12
30t (294.2 kN)	186	70	158	12-Ø14	15°	M39x2P	223	14	200	160	160 x 160	200 x 200	35	35	170	13
50t (490.3 kN)	218	70	184	12-Ø18	15°	M50x2P	255	23	240	190	190 x 190	240 x 240	43	40	196	15
100t (980.7 kN)	278	90	234	16-Ø20	11.25°	M70x3P	317	27	320	260	310 x 310	250 x 250	53	50	246	32

\* Specifications are subject to change without notice

MAY, 2023

BONGSHIN LOADCELL CO., LTD.

- Alloy steel or stainless steel (17-4PH) construction
- Fully welded seal with stainless steel cover
- High rated output (3mV/V)

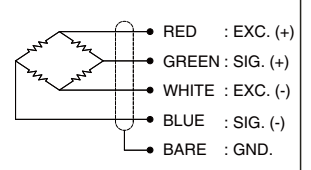
### SPECIFICATIONS

MODEL	DSCH	DSCHS
Material	Alloy steel	Stainless steel
Rated capacity (R.C.)	1, 2, 3, 5, 10t	20, 30, 50t   100t
Rated output (R.O.)	3.0mV/V ± 0.2%	
Non-linearity	% R.O. < 0.03	≤ 0.05   ≤ 0.1
Hysteresis	% R.O. ≤ 0.03	≤ 0.05   ≤ 0.1
Non-repeatability	% R.O. ≤ 0.02	≤ 0.03   ≤ 0.05
Creep error	≤ 0.03% in 20min.	
Zero balance	≤ 1% R.O.	
Compensated temperature range	-10 ~ 70°C	
Operating temperature range	-20 ~ 80°C	
Temp. effect on rated output	≤ 0.03% LOAD/10°C	
Temp. effect on zero balance	≤ 0.03% R.O./10°C	
Terminal input resistance	350 Ohms ± 3.5 Ohms	
Terminal output resistance	350 Ohms ± 5 Ohms	
Insulation resistance (Min.)	2000 MOhms at 50V DC	
Excitation voltage	3~12V(Recommended), 15V(Max.)	
Electrical connection	Ø7mmx6m(22AWG x 4Core Shielded)	
Protection class	meets IP 67	meets IP 68
Safe overload	150% R.C	
Ultimate overload	300% R.C	

### ORDERING INFORMATION

DSCH - 2T	MODEL	CAPACITY
DSCH	1, 2, 3, 5, 10, 20, 30, 50, 100ton	
DSCHS	1, 2, 3, 5, 10, 20, 30, 50ton	

### WIRING INFORMATION



	1, 2t	3, 5t	10t	20t	30t	50t	100t
Load Button	LBDSH1	LBDSH2	LBDSH3	LBDSH4	LBDSH5	LBDSH6	LBDSH7
Mounting Plate	MPDSH1	MPDSH2	MPDSH3	MPDSH4	MPDSH5	MPDSH6	MPDSH7
Bearing Plate	BPDSH1	BPDSH2	BPDSH3	BPDSH4	BPDSH5	BPDSH6	BPDSH7