

Model OBBXE Series

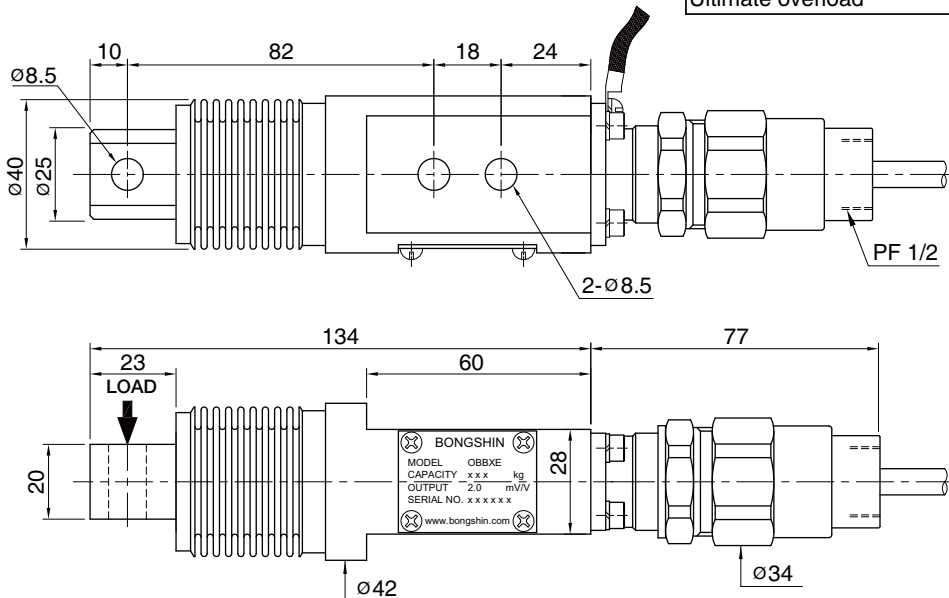
Flameproof type

Bending Beam Load Cell (10kg ~ 300kg)

- KGS Approved (Ex d IIB T4)
- 17-4PH stainless steel construction
- high accuracy

SPECIFICATIONS

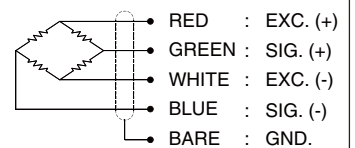
MODEL	OBBXE
Rated capacity (R.C.)	10, 20, 50, 100, 200, 300kg
Rated output (R.O.)	2.0mV/V ± 0.003mV/V
Non-linearity	≤ 0.03% R.O.
Hysteresis	≤ 0.02% R.O.
Non-repeatability	≤ 0.02% R.O.
Creep error	≤ 0.03% in 20min.
Zero balance	≤ 1% R.O.
Compensated temperature range	-10 ~ 70°C
Operating temperature range	-20 ~ 80°C
Temp. effect on rated output	≤ 0.003% LOAD / °C
Temp. effect on zero balance	≤ 0.003% R.O. / °C
Terminal input resistance	400 Ohms ± 30 Ohms
Terminal output resistance	350 Ohms ± 5 Ohms
Insulation resistance (Min.)	2000 MOhms at 50V DC
Excitation Voltage	3~12V(Recommended), 15V(Max.)
Electrical connection(22AWG x 4C)	Ø5mmx3m(Standard), 6m(Option)
Protection class	IP 67
Safe overload	150% R.C
Ultimate overload	300% R.C



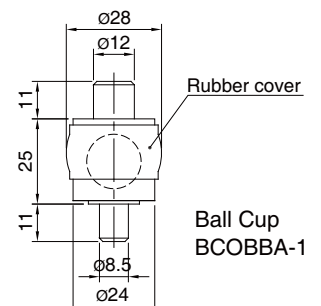
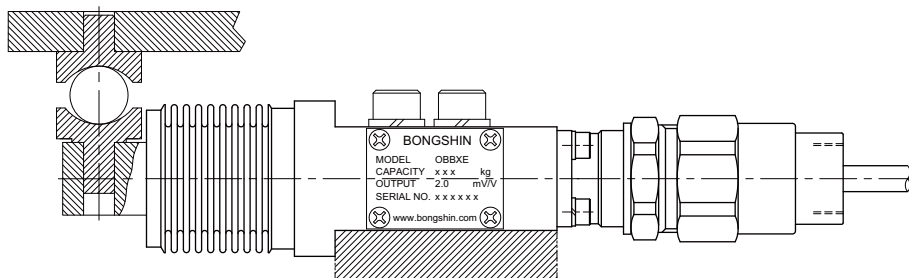
ORDERING INFORMATION

OBBXE - 50	
MODEL OBBXE	CAPACITY 10, 20, 50, 100kg 200, 300kg

WIRING INFORMATION



Installation



* Specifications are subject to change without notice

JUL, 2018