

## Model OS76 Series

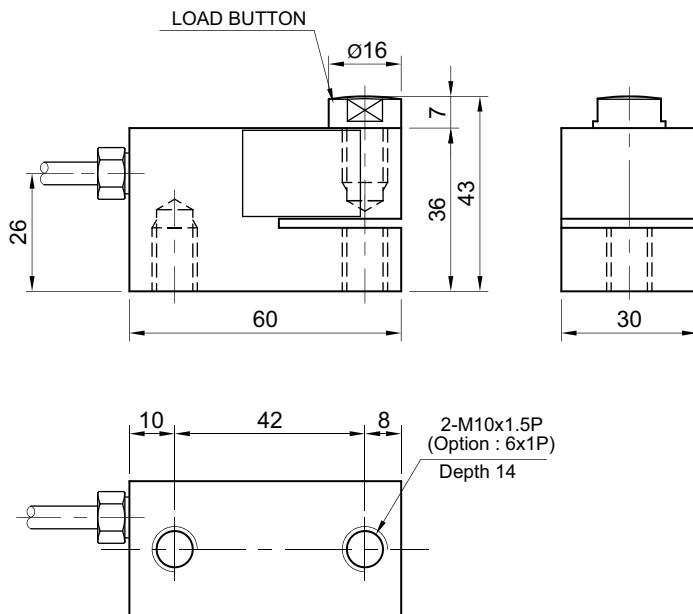
Compression Load Cell (500kg ~ 2t)

- Elevator load sensor



### SPECIFICATIONS

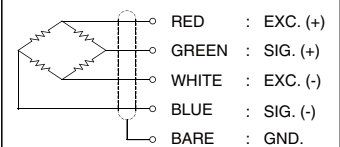
MODEL	OS76
Rated capacity (R.C.)	500kg, 1, 2 ton
Rated output(R.O.)	2.0mV/V ±1%
Non-linearity	≤0.5% R.O.
Hysteresis	≤0.5% R.O.
Non-repeatability	≤0.5% R.O.
Creep error	≤0.5% in 20min.
Zero balance	≤5% R.O.
Compensated temperature range	-10 ~ 70°C
Operating temperature range	-20 ~ 80°C
Temp. effect on rated output	≤0.05% LOAD/10°C
Temp. effect on zero balance	≤0.05% R.O./10°C
Terminal input resistance	420 Ohms ± 20 Ohms
Terminal output resistance	350 Ohms ± 5 Ohms
Insulation resistance (Min.)	2000 MOhms at 50V DC
Excitation voltage	3~12V(Recommended), 15V(Maximum)
Electrical connection	∅5mmx3m (28AWG x 4Core Shielded)
Protection class	meets IP 67
Safe overload	150% R.C
Ultimate overload	300% R.C



### ORDERING INFORMATION

**OS76 - 1T**  
 MODEL                      CAPACITY  
 OS76                        500kg, 1, 2ton

### WIRING INFORMATION



\* Specifications are subject to change without notice

APR, 2018