

Model OSBHG/OSWG Series

Shear Beam Load Cell (200kg ~ 2t)

OSBHG

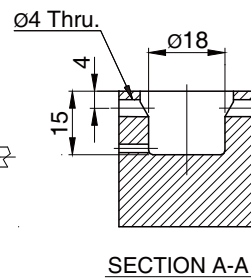
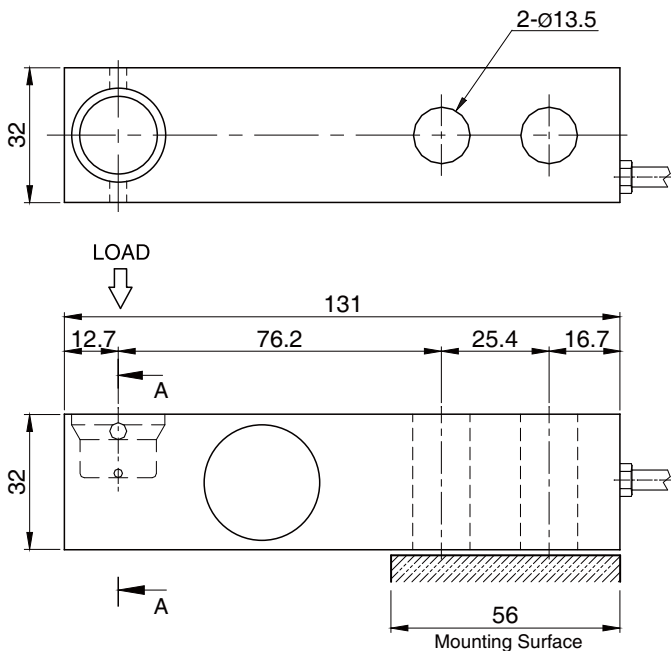


OSWG



SPECIFICATIONS

MODEL	OSBHG	OSWG
Material	Alloy steel	Stainless steel
Rated capacity (R.C.)	200, 500kg, 1, 2t	500kg, 1, 1.5, 2t
Rated output(R.O.)	3.0mV/V ± 0.25%	2.0mV/V ± 0.25%
Non-linearity	≤ 0.03% R.O.	≤ 0.03% R.O.
Hysteresis	≤ 0.02% R.O.	≤ 0.03% R.O.
Non-repeatability	≤ 0.02% R.O.	
Creep error	≤ 0.03% in 20min.	
Zero balance	≤ 1% R.O.	
Compensated temperature range	-10 ~ 70°C	
Operating temperature range	-20 ~ 80°C	
Temp. effect on rated output	≤ 0.03% LOAD/10°C	
Temp. effect on zero balance	≤ 0.03% R.O./10°C	
Terminal input resistance	400 Ohms ± 20 Ohms	
Terminal output resistance	350 Ohms ± 5 Ohms	
Insulation resistance (Min.)	2000 MOhms at 50V DC	
Excitation voltage	3~12V(Recommended), 15V(Max.)	
Electrical connection(4Core Shielded)	Ø5mmx3m(Standard), 6m(Option)	
Protection class	meets IP 67	meets IP 68
Safe overload	150% R.C	
Ultimate overload	300% R.C	



ORDERING INFORMATION

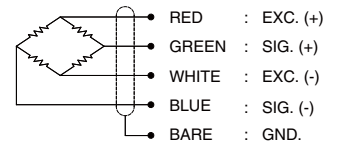
OSBHG - 2T

MODEL OSBHG CAPACITY 200, 500kg, 1, 2ton

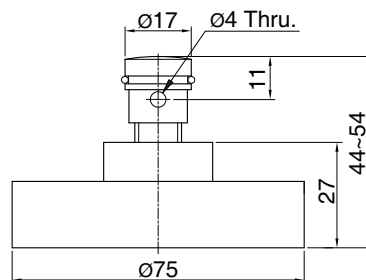
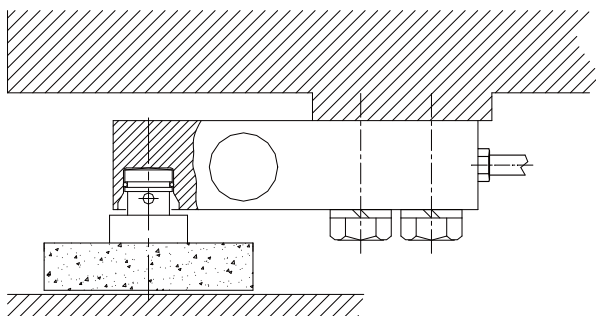
OSWG - 1.5T

MODEL OSWG CAPACITY 500kg, 1, 1.5, 2ton

WIRING INFORMATION



Installation



Height Adjustable Foot
LFOSWG-1 (Stainless steel & Rubber)



* Specifications are subject to change without notice

APR, 2018