

Model OSKW Series

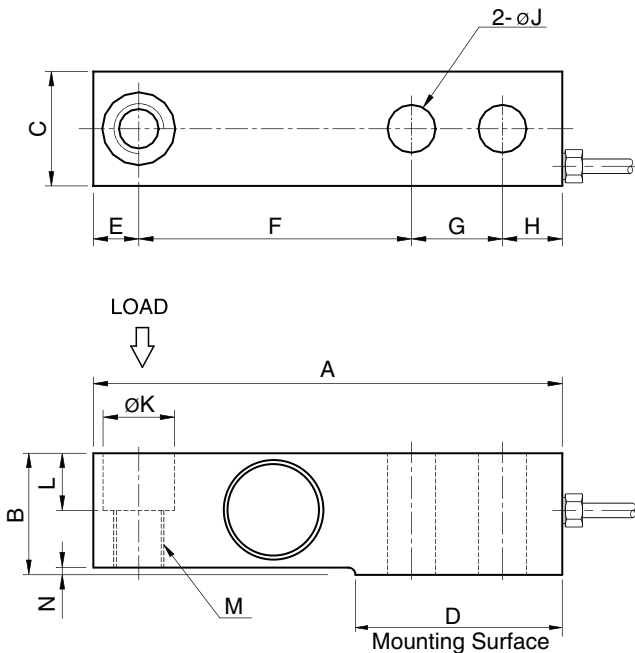
Shear Beam Load Cell (500kg ~ 5t)

- 17-4PH stainless steel
- Fully welded protection (IP68)



SPECIFICATIONS

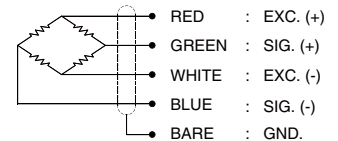
MODEL	OSKW
Rated capacity (R.C.)	500kg ~ 5t
Rated output(R.O.)	2.0mV/V ± 0.25%
Non-linearity	≤0.03% R.O.
Hysteresis	≤0.03% R.O.
Non-repeatability	≤0.02% R.O.
Creep error	≤0.03% in 20min.
Zero balance	≤1% R.O.
Compensated temperature range	-10 ~ 70°C
Operating temperature range	-20 ~ 80°C
Temp. effect on rated output	≤0.03% LOAD/10°C
Temp. effect on zero balance	≤0.03% R.O./10°C
Terminal input resistance	410 Ohms ± 30 Ohms
Terminal output resistance	350 Ohms ± 5 Ohms
Insulation resistance (Min.)	2000 Mohms at 50V DC
Excitation voltage	3~12V(Recommended), 15V(Max.)
Electrical connection	500kg~1.8t (22AWG x 4Core Shielded) 2t ~ 5t
	Ø5mmx3m(Standard), 6m(Option)
Protection class	meets IP 68
Safe overload	150% R.C
Ultimate overload	300% R.C



ORDERING INFORMATION

OSKW	-	5T	0.5t
MODEL		CAPACITY	1t
OSKW			1.5t
			1.814t (4klb)
			2t
			2.268t (5klb)
			3t
			4.536t (10klb)
			5t

WIRING INFORMATION



Dimension-mm

Capacity	A	B	C	D	E	F	G	H	ØJ	ØK	L	M	N	Weight(kg)
0.5t 1t 1.5t 1.814t (4klb)	131	32	32	58	12.7	76.2	25.4	16.7	13	21	15	M12x1.75P	1.6	0.9
2t 2.268t (5klb) 3t	171	38	38	76	19	95.3	38.1	18.6	20.5	30.2	18	M20x2.5P	2	1.6
4.536t (10klb) 5t	171	43	40	76	19	95.3	38.1	18.6	21	30.2	20.5	M20x2.5P	3	1.9

* Specifications are subject to change without notice

JAN, 2022