

## Model OSWX Series

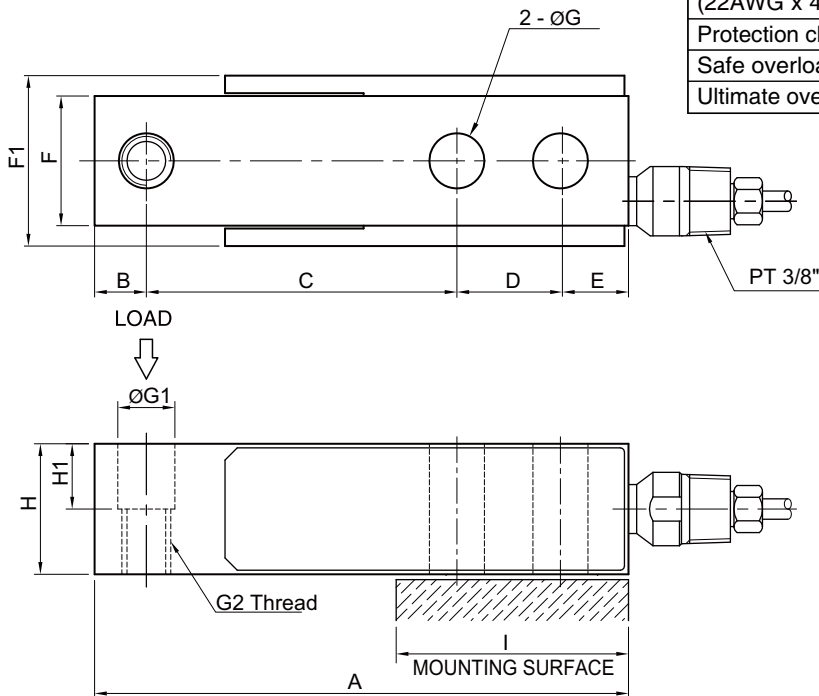
Flameproof type  
Shear Beam Load Cell (500kg ~ 5t)

- KGS Approved (Ex d IIB T4)
- 17-4PH stainless steel construction
- high accuracy



### SPECIFICATIONS

MODEL	OSWXM	OSWXL
Rated capacity (R.C.)	500kg, 1, 2t	3, 5t
Rated output(R.O.)	2.0 ± 0.005 mV/V	
Non-linearity	≤0.03% R.O.	
Hysteresis	≤0.03% R.O.	
Non-repeatability	≤0.02% R.O.	
Creep error	≤0.03% in 20min.	
Zero balance	≤1% R.O.	
Compensated temperature range	-10 ~ 70°C	
Operating temperature range	-20 ~ 80°C	
Temp. effect on rated output	≤0.02% LOAD/10°C	
Temp. effect on zero balance	≤0.02% R.O./10°C	
Terminal input resistance	400 Ohms ± 20 Ohms	
Terminal output resistance	350 Ohms ± 5 Ohms	
Insulation resistance (Min.)	2000 MOhms at 50V DC	
Excitation voltage	3~12V(Recommended), 15V(Max.)	
Electrical connection (22AWG x 4Core Shielded)	ø5mmx3m	ø5mmx6m
Protection class	IP 67	
Safe overload	150% R.C	
Ultimate overload	300% R.C	



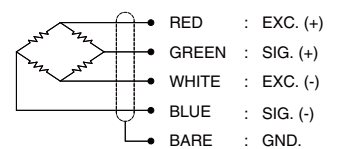
### ORDERING INFORMATION

**OSWXM - 2T**

MODEL CAPACITY

OSWXM	500kg, 1, 2ton
OSWXL	3, 5ton

### WIRING INFORMATION



**FLAMEPROOF**

**Ex d IIB T4 / KGS**

### Dimension-mm

Capacity	A	B	C	D	E	F	F1	G	G1	G2	H	H1	I	Weight(kg)
500kg ~ 2t (4.903~19.61kN)	131	12.7	76.2	25.4	16.7	32	42	13.5	13.5	M12x1.75P	32	16	56	1.2
3, 5t (29.42, 49.03kN)	171.5	19	95.3	38.1	19.1	38.1	50	20.5	20.5	M20x2.5P	38	19	76.2	2.2

\* Specifications are subject to change without notice

APR, 2018

BONGSHIN LOADCELL CO., LTD.

55, Seobuk-ro, Gajang Ind.Complex, Osan-si, Korea / 18103  
 TEL : 82-31-742-6661 www.bongshin.com  
 FAX : 82-31-742-6664 E-mail : loadcell@bongshin.com