

Model CS290 Series

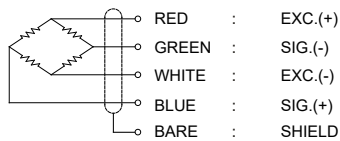
Center hole type load cell

ORDERING INFORMATION

CS290 - 3T

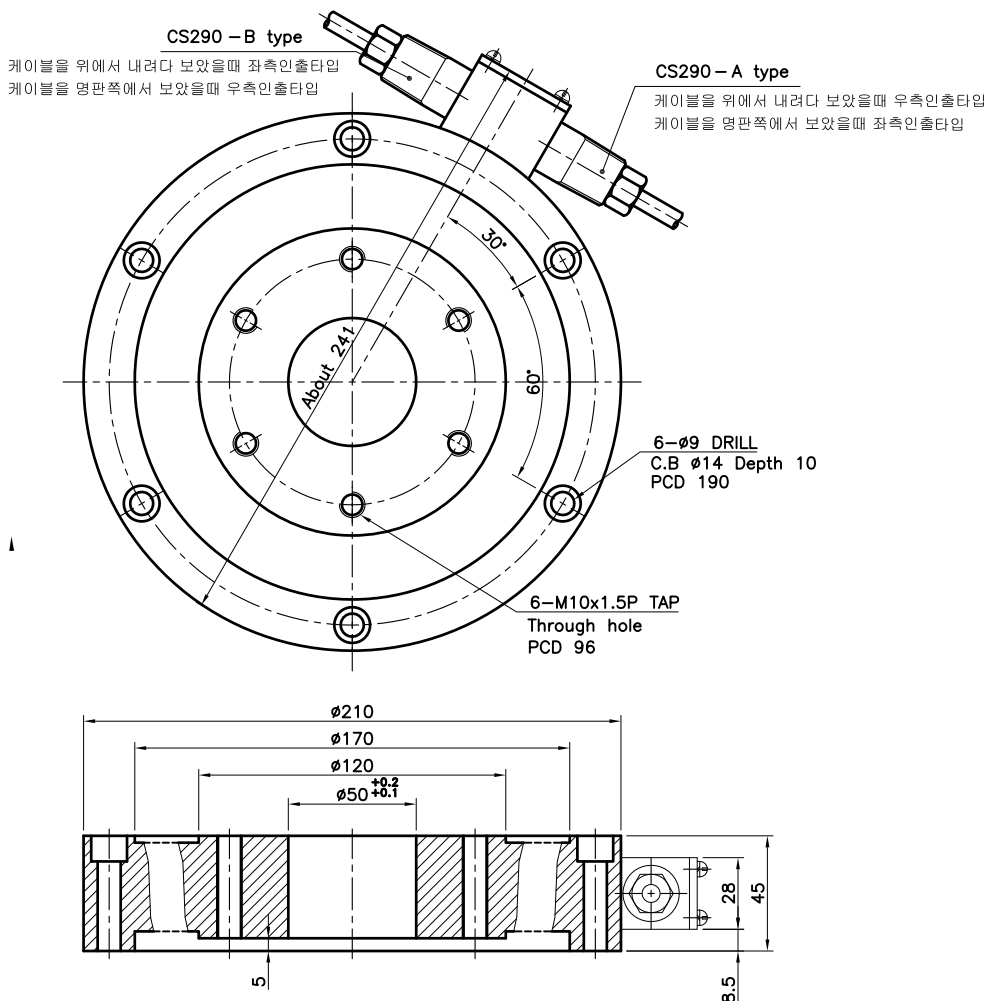
MODEL CAPACITY
 CS290 A Type 3, 5ton
 B Type

WIRING INFORMATION



SPECIFICATIONS

MODEL	CS290 (TYPE - A, TYPE - B)
Rated capacity (R.C.)	3, 5 ton
Rated output(R.O.)	2mV/V±0.1%
Non-linearity	≤ 0.1% R.O.
Hysteresis	≤ 0.1% R.O.
Non-repeatability	≤ 0.05% R.O.
Creep error	≤ 0.1% in 20min.
Zero balance	≤ 1% R.O.
Compensated temperature range	-10 ~ 70°C
Operating temperature range	-20 ~ 80°C
Temp. effect on rated output	≤ 0.05% LOAD/10°C
Temp. effect on zero balance	≤ 0.05% R.O./10°C
Terminal input resistance	700 Ohms ±3.5 Ohms
Terminal output resistance	700 Ohms ±5 Ohms
Insulation resistance (Min.)	2000 MOhms at 50V DC
Excitation Voltage	3~12V(Recommended) /15V(Max.)
Electrical connection	ø7mmx4Corex10m
Protection class	meets IP 64
Safe overload	150% R.C
Ultimate overload	300% R.C



* Specifications are subject to change without notice

NOR, 2023