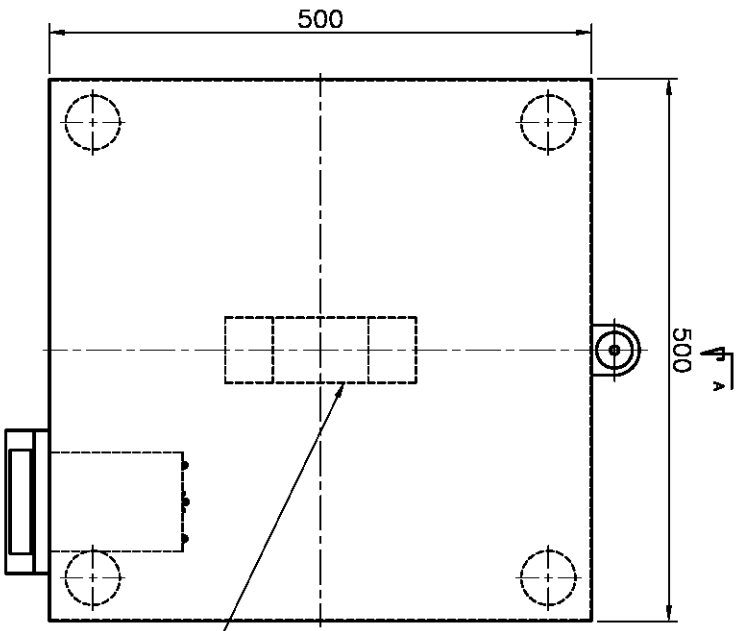
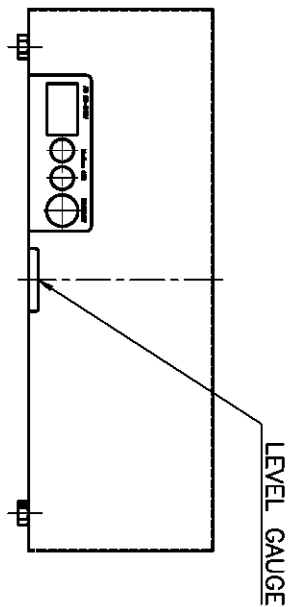


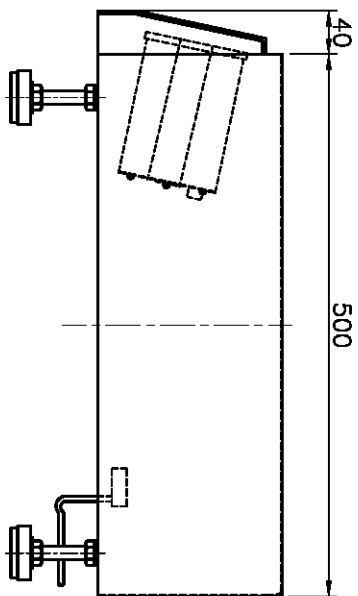
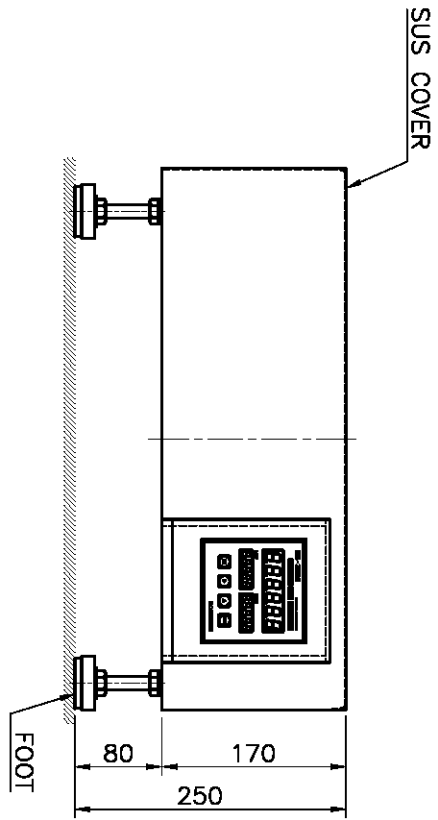
Model	PS156
Capacity (Max.)	100 kg
Accuracy	1/5,000



BENDING BEAM
LOAD CELL
CAPA. : 150kg



후면도(A)



TITLE	PS156 - 100kg (500x500x250h)				
SCALE	OUTLINE & SPECIFICATIONS				
DRAWN	CHECKED	APPROVED	PROJ. NO.		
1	1	YDU			
DATE	210810		DWG. NO.	LS-PS156-100K01.11	
			REV.	0	

BONGSHIN LOADCELL CO.,LTD.