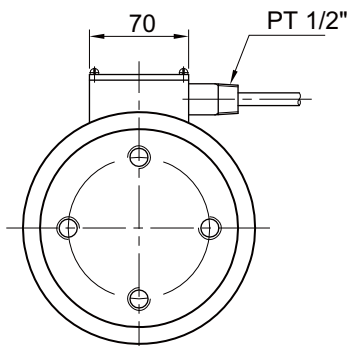
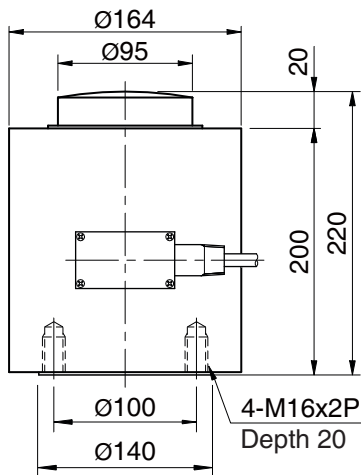


Model CCDM13 Series

Compression Load Cell (200t)
Canister Type



The CCDM13 series of single column, low profile and compact, hermetically sealed design provides small deflection(0.2mm Max) and trouble-free operation. These load cells designed for rugged industrial use as compression load cell and meet the needs of low cost weighing and force measurement systems.

- Insensitive to side load
- Robust high capacity design
- High alloy steel construction

SPECIFICATIONS

MODEL	CCDM13
Rated capacity (R.C.)	200 ton
Rated output(R.O.)	1.5mV/V \pm 0.3%
Non-linearity	\leq 0.05% R.O.
Hysteresis	\leq 0.05% R.O.
Non-repeatability	\leq 0.05% R.O.
Creep error	\leq 0.1% in 20min.
Zero balance	\pm 1% R.O.
Compensated temperature range	-10 ~ 120°C
Operating temperature range	-20 ~ 120°C
Temp. effect on rated output	\leq 0.1% LOAD/10°C
Temp. effect on zero balance	\leq 0.1% R.O./10°C
Terminal input resistance	350 Ohms \pm 5 Ohms
Terminal output resistance	350 Ohms \pm 5 Ohms
Insulation resistance (Min.)	2000 MOhms at 50V DC
Excitation voltage	3~12V(Recommended), 15V(Max.)
Electrical connection	\varnothing 9mmx5m(22AWG x 4Core Shielded)
Protection class	meets IP 67
Safe overload	150% R.C
Ultimate overload	300% R.C

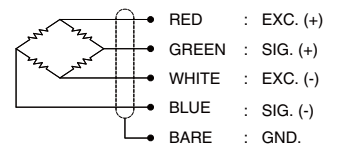
ORDERING INFORMATION

CCDM13 - 200T

MODEL
CCDM13

CAPACITY
200 ton

WIRING INFORMATION



* Specifications are subject to change without notice

MAR, 2019