

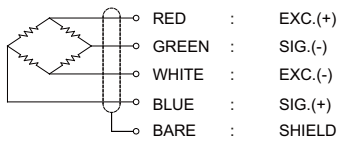
## Model CS12C Series

Center hole type load cell (1, 2t)

### ORDERING INFORMATION

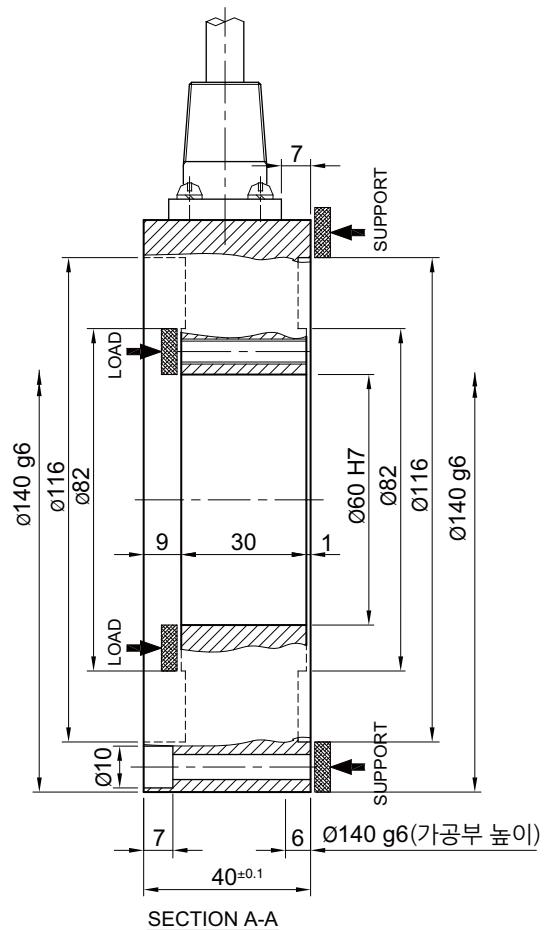
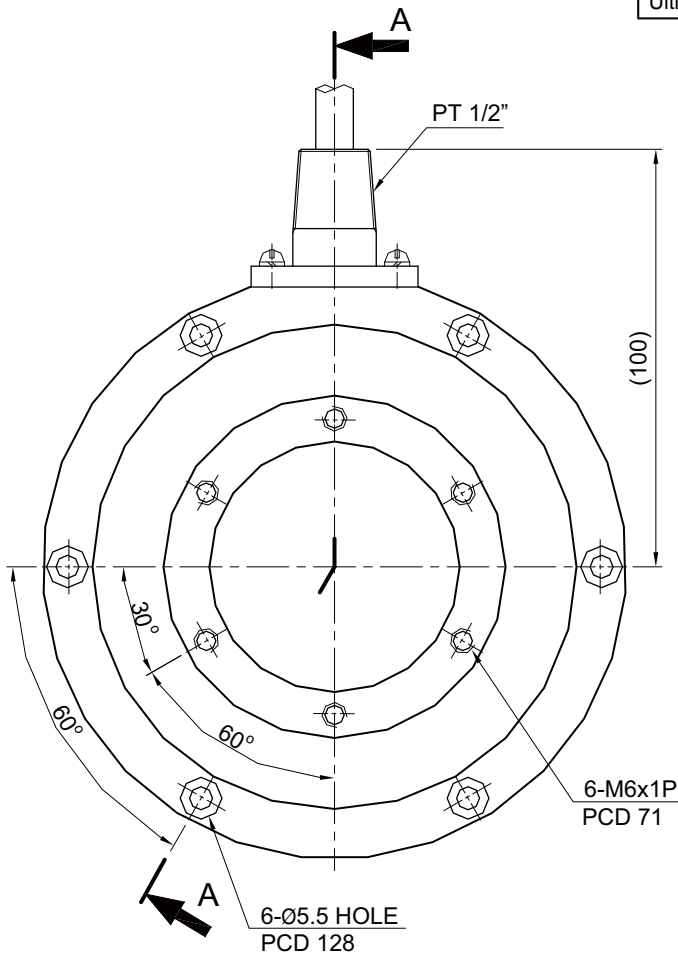
CS12C - 1T  
 MODEL CAPACITY  
 CS12C 1 ton  
 2 ton

### WIRING INFORMATION



### SPECIFICATIONS

MODEL	CS12C
Rated capacity (R.C.)	1, 2 ton
Rated output(R.O.)	1.5mV/V±0.1%
Non-linearity	≤ 0.1% R.O.
Hysteresis	≤ 0.1% R.O.
Non-repeatability	≤ 0.1% R.O.
Creep error	≤ 0.1% in 20min.
Zero balance	≤ 1% R.O.
Compensated temperature range	-10 ~ 70 °C
Operating temperature range	-20 ~ 80 °C
Temp. effect on rated output	≤ 0.03% LOAD/10 °C
Temp. effect on zero balance	≤ 0.03% R.O./10 °C
Terminal input resistance	700 Ohms ±7 Ohms
Terminal output resistance	700 Ohms ±10 Ohms
Insulation resistance (Min.)	2000 MOhms at 50V DC
Excitation Voltage	3~12V(Recommended) /15V(Max.)
Electrical connection	ø5mmx4Corex10m
Protection class	meets IP 64
Safe overload	150% R.C
Ultimate overload	300% R.C



\* Specifications are subject to change without notice

SEP, 2019