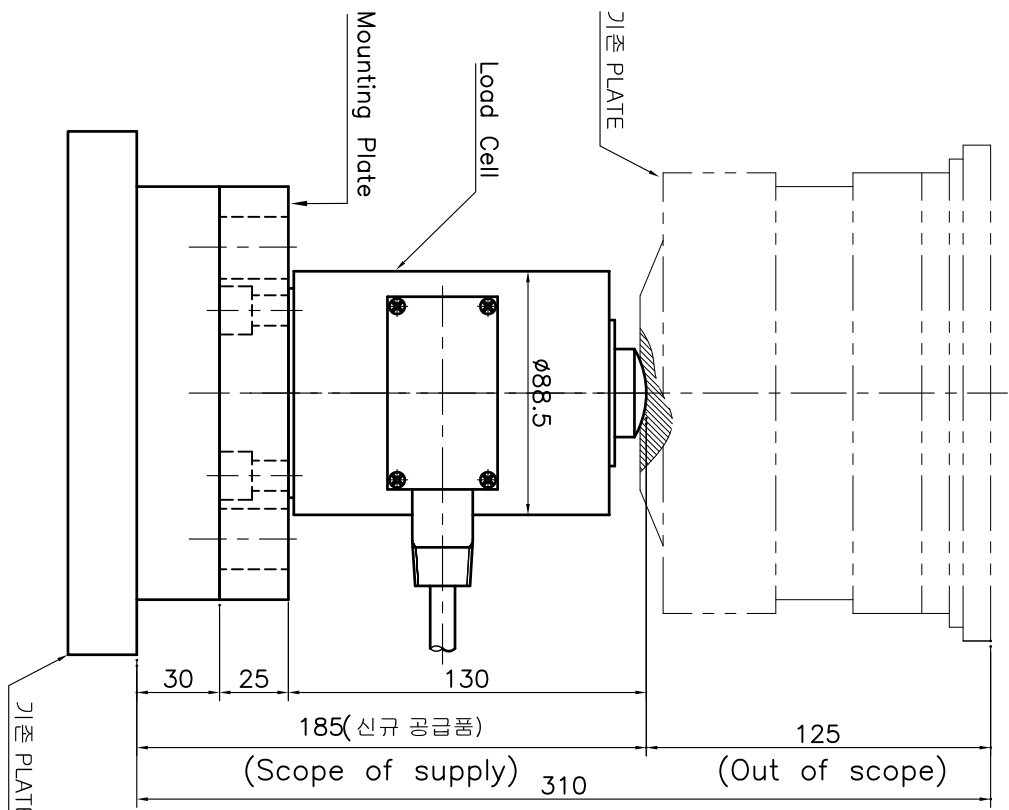
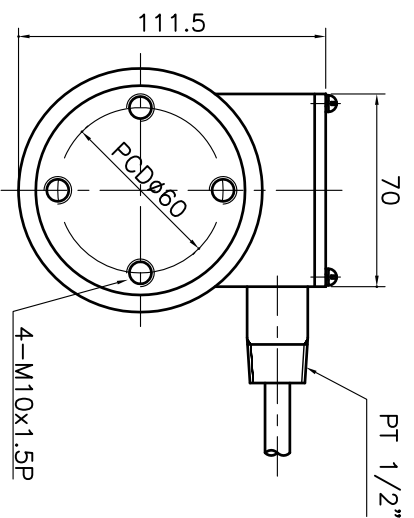
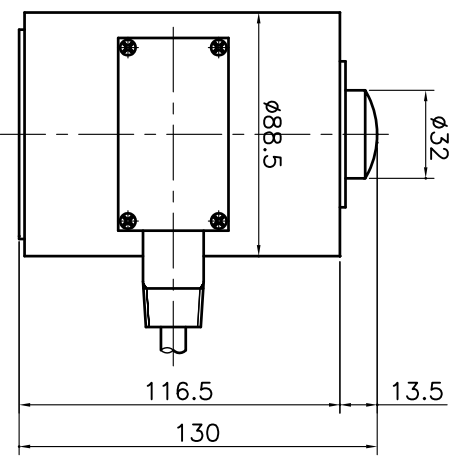


LOAD CELL



SPECIFICATION

Model	CC62-20T
Rated capacity (R.C.)	20ton
Rated output (R.O.)	1.0 mV/V \pm 0.1%
Non-linearity	0.05% R.O.
Hysteresis	0.02% R.O.
Repeatability	0.02% R.O.
Zero balance	\pm 1% R.O.
Temp. range, compensated	-15~70°C
Temp. range, safe	-30~80°C
Temp. effect on rated output	\pm 0.1% LOAD/10°C
Temp. effect on zero balance	\pm 0.1% R.O./10°C
Terminal resistance, input	350 \pm 3.5 ohm
Terminal resistance, output	350 \pm 5 ohm
Electrical connection	ϕ 9x4Cx5m
Insulation resistance (Min.)	5000 M ohm
Insulation resistance (Min.)	1000 M ohm
Excitation, recommended	12V
Excitation, Max.	15V
Safe overload	250% R.C.

NO.	REVISION & DESCRIPTION	DATE	DRAWN	APPROVED
1.				
2.				

NO	DESCRIPTION	MATERIAL	QTY	CF.
	CC62-20T & B.P / M.P			
TITLE OUTLINE & SPECIFICATION DRAWING				
SCALE DRAWN / CHECKED / APPROVED		PROJ. NO.		
N				
S				
DATE		DWG. NO.	LS-CC62-020T01.1	

BONGSHIN LOADCELL CO., LTD.