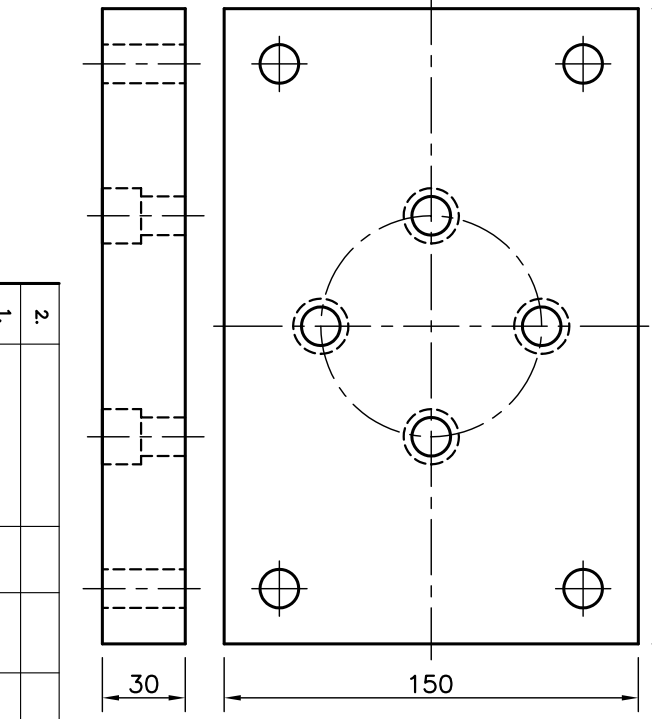
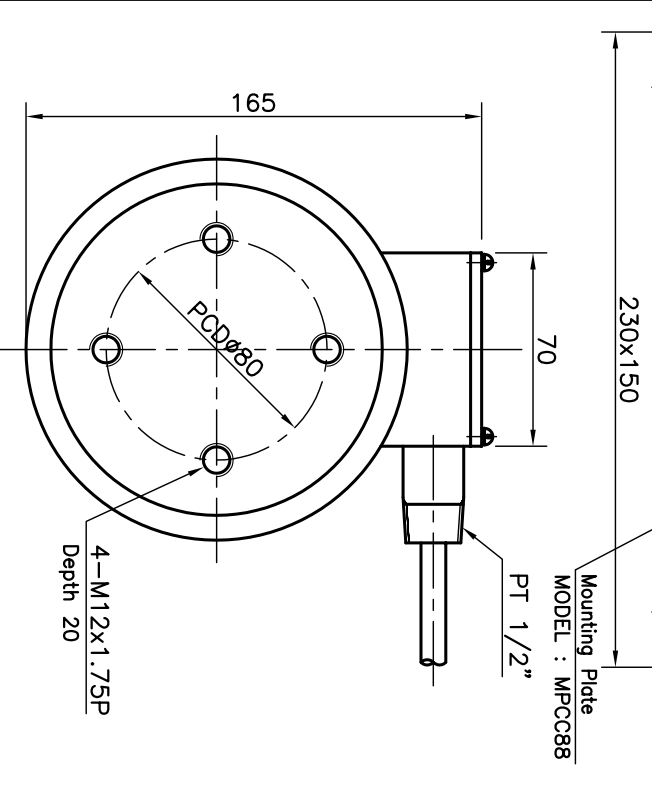
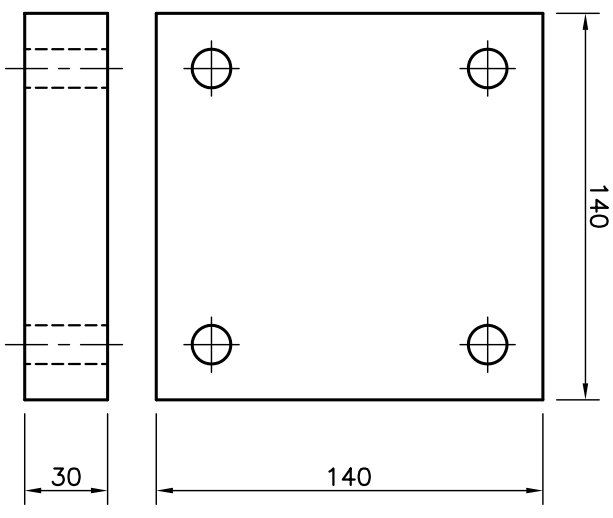
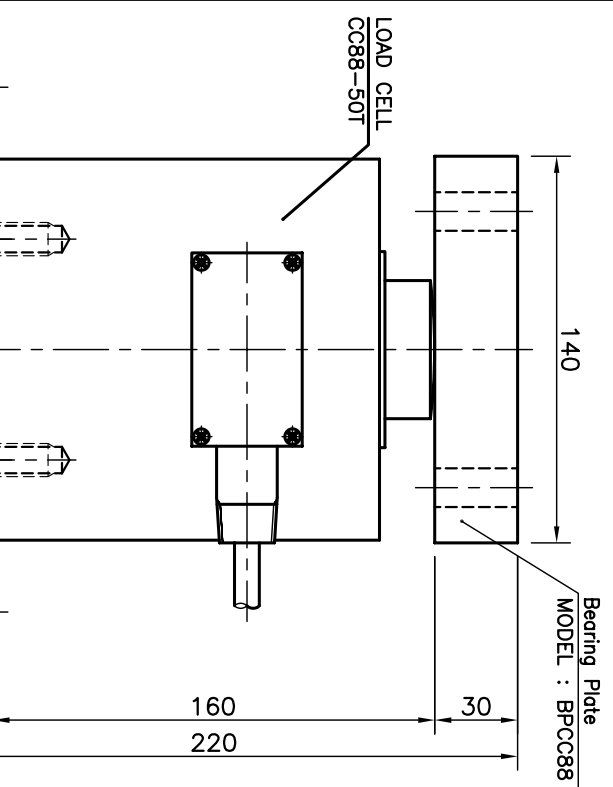


Bearing Plate
MODEL : BPCC88



SPECIFICATION

Model	CC88 - 50T
Rated capacity (R.C.)	50 ton
Rated output (R.O.)	2.0 mV/V ±0.5%
Non-linearity	±0.2% R.O.
Hysteresis	±0.2% R.O.
Repeatability	±0.1% R.O.
Zero balance	±1% R.O.
Temp. range, compensated	-10 ~ 70°C
Temp. range, safe	-20 ~ 100°C
Temp. effect on rated output	±0.03% LOAD/10°C
Temp. effect on zero balance	±0.03% R.O./10°C
Terminal input resistance	350 ± 3.5 ohms
Terminal output resistance	350 ± 5 ohms
Electrical connection	φ9x4Cx5m
Insulation resistance (Min.) shield to ground	5000 M ohm
Excitation, recommended	1000 M ohm
Excitation, Max.	12V
Safe overload	15V 150% R.C.

NO.	REVISION & DESCRIPTION	DATE	DRAWN	APPROVED
2.				
1.				

NO	DESCRIPTION	MATERIAL	Q'TY	CF.
	CC88 - 50T			
TITLE OUTLINE & SPECIFICATION				
SCALE DRAWN (CHECKED) APPROVED			PROJ. NO.	
N	YDJ			
S				
DATE	080421		DWG. NO.	LS-CC88-050T01.11

BONGSHIN LOADCELL CO., LTD.