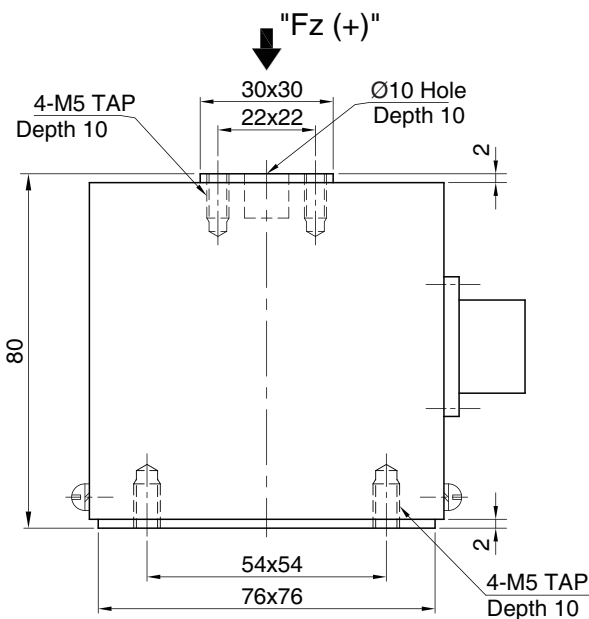
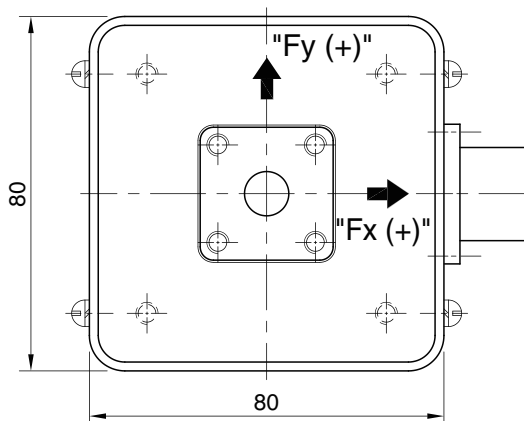


Model M3TA Series

3 Axis Sensor
50, 100kg

- Three-direction force structure
- Aluminum alloy element



SPECIFICATIONS

MODEL	M3TA		
	Fx	Fy	Fz
Axis			
Rated capacity (R.C.)	50, 100kg	50, 100kg	50, 100kg
Rated output(R.O. Nominal)	1.0mV/V		
Non-linearity	≤1% R.O.		
Hysteresis	≤1% R.O.		
Non-repeatability	≤0.5% R.O.		
Zero balance	≤5% R.O.		
Compensated temperature range	-10 ~ 70°C		
Operating temperature range	-20 ~ 80°C		
Temp. effect on rated output	≤0.1% LOAD/10°C		
Temp. effect on zero balance	≤0.05% R.O./10°C		
Terminal input resistance	840 Ohms ± 50 Ohms		
Terminal output resistance	700 Ohms ± 5 Ohms		
Insulation resistance (Min.)	2000 MOhms at 50V DC		
Excitation voltage	3~12V(Recommended), 15V(Max.)		
Electrical connection	12Pin Connector		
Safe overload	150% R.C		
Ultimate overload	300% R.C		
Material	Aluminum alloy		

ORDERING INFORMATION

M3TA - 50 - 50 - 50

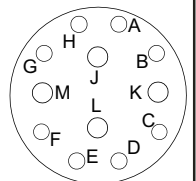
MODEL	CAPACITY
M3TA	50kg - 50kg - 50kg 100kg - 100kg - 100kg

WIRING INFORMATION

Fx { PIN A : EXC +
PIN B : EXC -
PIN C : SIG +
PIN D : SIG -

Fy { PIN E : EXC +
PIN F : EXC -
PIN G : SIG +
PIN H : SIG -

Fz { PIN J : EXC +
PIN K : EXC -
PIN L : SIG +
PIN M : SIG -



Connector : MS3112E 14-12P

* Specifications are subject to change without notice

DEC, 2025