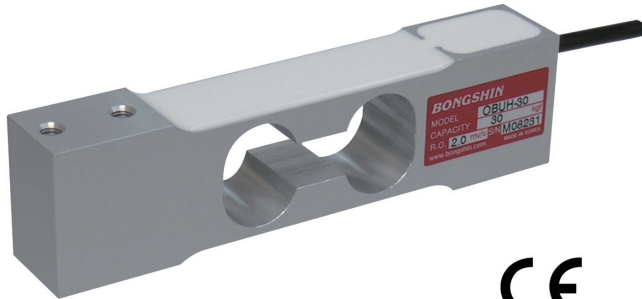


Model OBUH / OBUHS Series

Single Point
Bending Beam Load Cell
(5kg ~ 100kg)

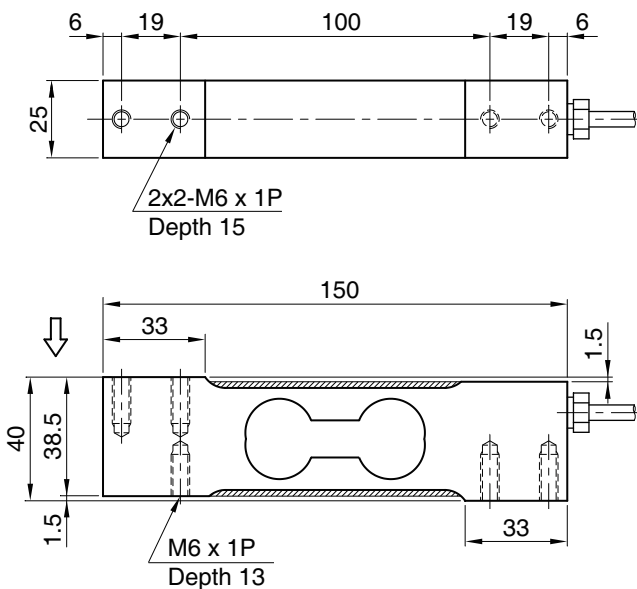
The OBUH(S) series single point load cell is designed for low profile scales and automatic check weighing systems where great accuracy, reliability and fast measurement are required.



- OBUH : Aluminum alloy
- OBUHS : Stainless steel

SPECIFICATIONS

MODEL	OBUH	OBUHS
Rated capacity (R.C.)	5, 7, 10, 15, 30, 50, 100kg	15, 30, 50, 100kg
Rated output(R.O.)	2.0mV/V ± 10%	
Non-linearity	≤0.02% R.O.	
Hysteresis	≤0.02% R.O.	
Non-repeatability	≤0.02% R.O.	
Creep error	≤0.03% in 20min.	
Zero balance	≤5% R.O.	
Compensated temperature range	-10 ~ 40°C	
Operating temperature range	-20 ~ 80°C	
Temp. effect on rated output	≤0.012% LOAD/10°C	
Temp. effect on zero balance	≤0.03% R.O./10°C	
Terminal input resistance	410 Ohms ± 25 Ohms	
Terminal output resistance	350 Ohms ± 5 Ohms	
Insulation resistance (Min.)	2000 MOhms at 50V DC	
Excitation voltage	3~12V(Recommended), 15V(Max.)	
Electrical connection	ø5mmx1.5m(22AWG x 4Core Shielded)	
Protection class	meets IP 65	
Safe overload	150% R.C	
Ultimate overload	300% R.C	



Capacity(kg)	Allowable Platform Size
5 ~ 30kg (49.03 ~ 294.2N)	300 x 300 mm
50 ~ 100kg (490.3 ~ 980.7N)	400 x 400 mm

ORDERING INFORMATION

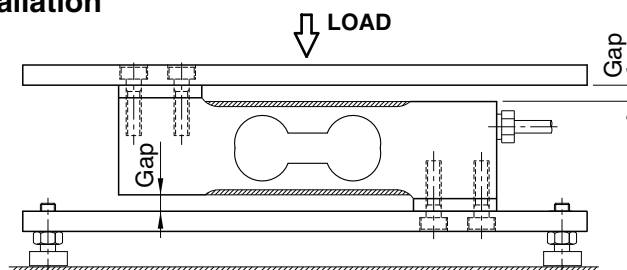
OBUH - 30

MODEL CAPACITY

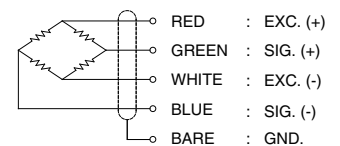
OBUH : Aluminum alloy 5, 7, 10, 15, 30, 50, 100kg

OBUHS : Stainless steel 15, 30, 50, 100kg

Installation



WIRING INFORMATION



Weight

OBUH : 0.4kg

OBUHS : 1.1kg

* Specifications are subject to change without notice

APR, 2018