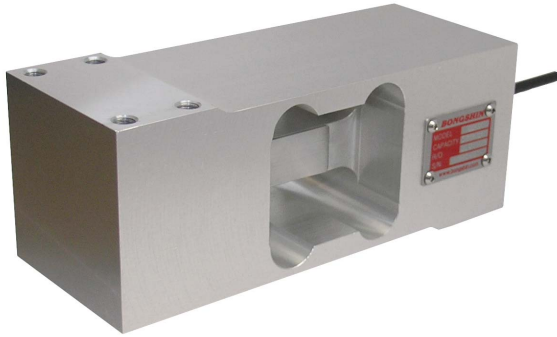


## Model OBUX Series

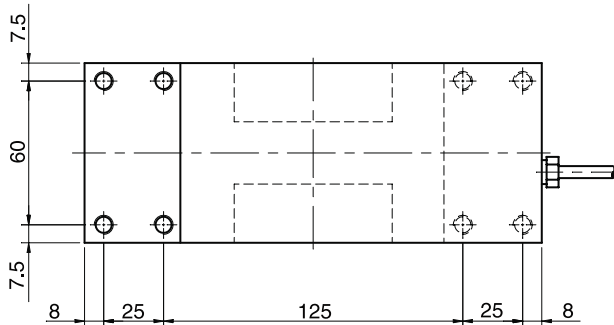
Single Point Load Cell (50~500kg)

The OBUX series single point load cell is designed for platform scale, hopper scale and automatic check weighing systems where great accuracy, reliability and fast measurement are required.

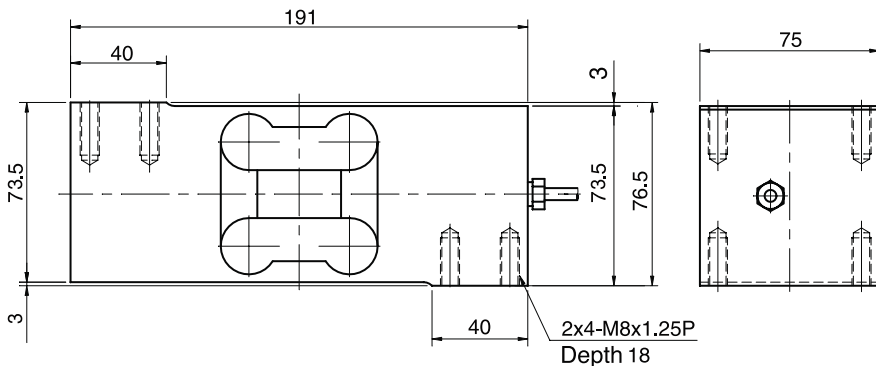


### SPECIFICATIONS

MODEL	OBUX
Rated capacity (R.C.)	50, 100, 200, 300, 500kg
Rated output(R.O.)	2mV/V ± 10%
Non-linearity	≤0.02% R.O.
Hysteresis	≤0.02% R.O.
Non-repeatability	≤0.02% R.O.
Creep error	≤0.03% in 20min.
Zero balance	≤5% R.O.
Compensated temperature range	-10 ~ 70°C
Operating temperature range	-20 ~ 80°C
Temp. effect on rated output	≤0.012% LOAD/10°C
Temp. effect on zero balance	≤0.03% R.O./10°C
Terminal input resistance	420 Ohms ± 20 Ohms
Terminal output resistance	350 Ohms ± 5 Ohms
Insulation resistance (Min.)	2000 MOhms at 50V DC
Excitation voltage	10V(Recommended), 15V(Max.)
Electrical connection	∅5mmx3m(22AWG x 4Core Shielded)
Protection class	meets IP 65
Safe overload	150% R.C
Ultimate overload	300% R.C



Capacity	Allowable Platform Size
50~500kg (0.981 ~ 4.903kN)	700 x 700mm

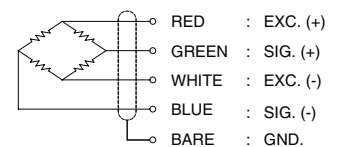


### ORDERING INFORMATION

**OBUX - 500**

MODEL: OBUX      CAPACITY: 50, 100, 200, 300, 500kg

### WIRING INFORMATION



**Weight : 2.4kg**

\* Specifications are subject to change without notice

JAN, 2010